

ZYXEL

Armor G5 (NBG7815)

AX6000 Multi-Gigabit Security WiFi Router



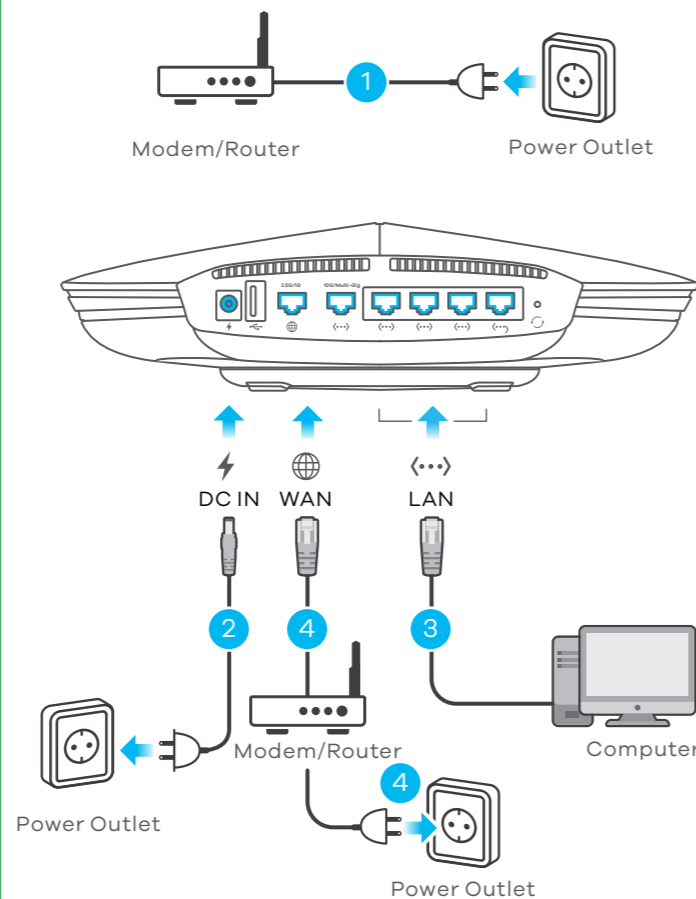
Quick Start Guide

ENGLISH | DEUTSCH | FRANÇAIS | ITALIANO
ESPAÑOL | PORTUGUÊS

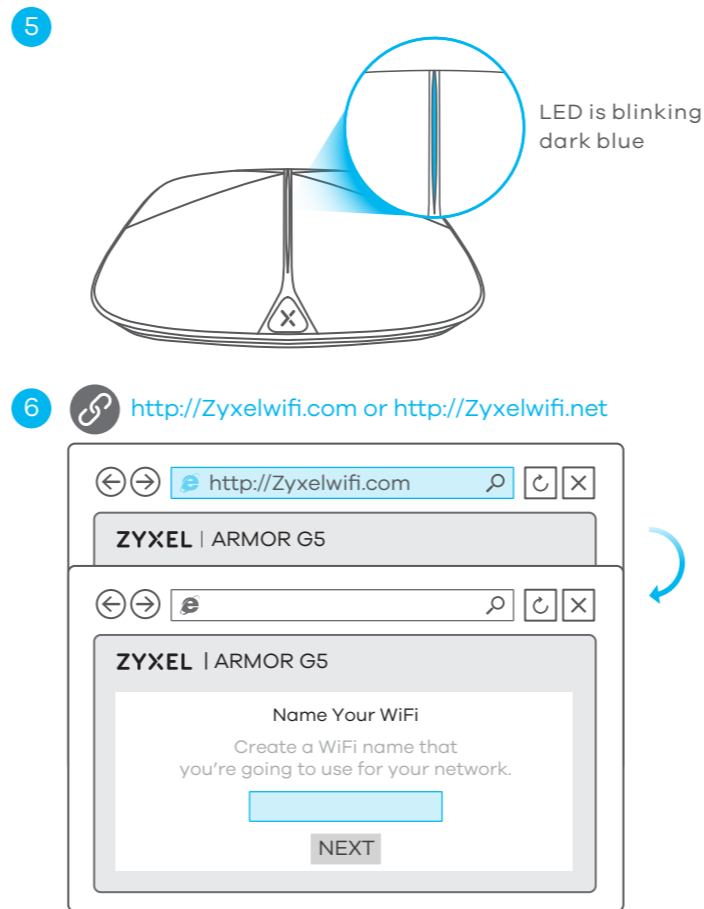
Package Contents

- Device
- Ethernet Cable
- Power Adapter
- QSG / Warranty Card
- Declaration of Conformity
Safety Warnings

1 Hardware Installation

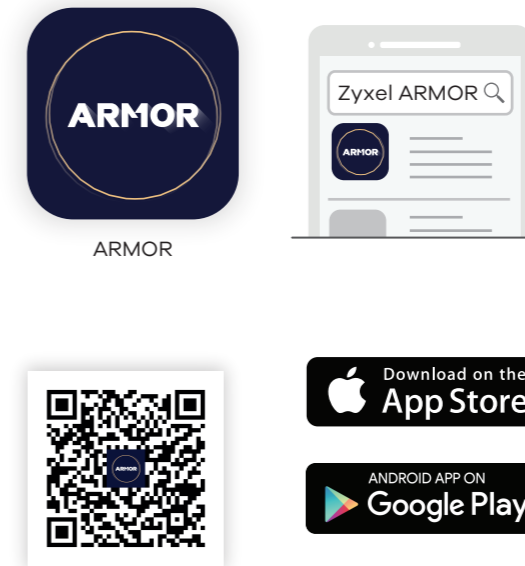


2 Setup Through Web Configurator



Optional Setup through App

Download the ARMOR app to install and manage your ARMOR WiFi router. Use the app to configure WiFi wireless settings and schedule Internet access for specific users.



ARMOR app currently supports English, German, Spanish, French, Italian, Portuguese, Russian and Chinese.

- EN** 1 Disconnect your modem or router.
2 Use the included power adapter to connect the ARMOR to a power outlet.
3 Use an Ethernet cable to connect your computer to the ARMOR's LAN port.
4 Use an Ethernet cable to connect your modem to the ARMOR's WAN port. Reconnect it to a power outlet.
- DE** 1 Trennen Sie Ihr Modem oder Ihren Router.
2 Verwenden Sie das mitgelieferte Netzteil, um den ARMOR an eine Steckdose anzuschließen.
3 Verwenden Sie ein Ethernet-Kabel, um Ihren Computer an den LAN-Anschluss des ARMOR anzuschließen.
4 Verwenden Sie ein Ethernet-Kabel, um Ihr Modem an den WAN-Port des ARMOR anzuschließen. Schließen Sie ihn wieder an eine Steckdose an.
- FR** 1 Déconnectez votre modem ou votre routeur.
2 Utilisez l'adaptateur d'alimentation fourni pour connecter le ARMOR à une prise de courant.
3 Utilisez un câble Ethernet pour connecter votre ordinateur au port LAN du ARMOR.
4 Utilisez un câble Ethernet pour connecter votre modem au port WAN du ARMOR. Rebranchez-le à une prise de courant.
- IT** 1 Scollegare il modem o il router.
2 Utilizzare l'adattatore di alimentazione incluso per collegare il ARMOR a una presa di corrente.
3 Utilizzare un cavo Ethernet per collegare il computer alla porta LAN di ARMOR.
4 Utilizzare un cavo Ethernet per collegare il modem alla porta WAN di ARMOR. Ricollegarlo a una presa di corrente.
- ES** 1 Desconecte su módem o router.
2 Utilice el adaptador de alimentación incluido para conectar el ARMOR a una toma de corriente.
3 Utilice un cable Ethernet para conectar su ordenador al puerto LAN del ARMOR.
4 Utilice un cable Ethernet para conectar su módem al puerto WAN del ARMOR. Vuelva a conectarlo a la toma de corriente.
- PT** 1 Desligue o modem ou o router.
2 Utilize o adaptador incluído para ligar o ARMOR a uma tomada.
3 Utilize o cabo Ethernet para ligar o computador à porta LAN do ARMOR.
4 Utilize o cabo Ethernet para ligar o modem à porta WAN do ARMOR. Torne a ligar a uma tomada.

- EN** 5 Wait until the ARMOR's LED is blinking dark blue.
6 From the computer, open a web browser and enter <http://Zyxelwifi.com> or <http://Zyxelwifi.net>. Follow the screen instructions to give a name to your ARMOR, and configure its WiFi settings.
- DE** 5 Warten Sie, bis die LED des ARMOR dunkelblau blinkt.
6 Öffnen Sie vom Computer aus einen Webbrowser und geben Sie <http://Zyxelwifi.com> oder <http://Zyxelwifi.net> ein. Folgen Sie den Anweisungen auf dem Bildschirm, um Ihrem ARMOR einen Namen zu geben, und konfigurieren Sie dessen WiFi-Einstellungen.
- FR** 5 Attendez que la LED du ARMOR clignote en bleu foncé.
6 Depuis l'ordinateur, ouvrez un navigateur Web et entrez <http://Zyxelwifi.com> ou <http://Zyxelwifi.net>. Suivez les instructions à l'écran pour donner un nom à votre ARMOR, et configurez ses paramètres WiFi.
- IT** 5 Attendere che il LED di ARMOR lampeggi in blu scuro.
6 Dal computer, aprire un browser Web e inserire <http://Zyxelwifi.com> o <http://Zyxelwifi.net>. Seguire le istruzioni visualizzate per assegnare un nome al ARMOR e configurare le impostazioni WiFi.
- ES** 5 Espere hasta que el LED del ARMOR esté parpadeando en azul oscuro.
6 Desde el ordenador, abra un navegador web y escriba <http://Zyxelwifi.com> o <http://Zyxelwifi.net>. Siga las instrucciones en pantalla para dar un nombre a su ARMOR y ajuste la configuración WiFi.
- PT** 5 Espere hasta que el LED del ARMOR esté parpadeando en azul oscuro.
6 Desde el ordenador, abra un navegador web y escriba <http://Zyxelwifi.com> o <http://Zyxelwifi.net>. Siga las instrucciones en pantalla para dar un nombre a su ARMOR y ajuste la configuración WiFi.

ZYXEL

Your Networking Ally



Warranty Card

Thank you for purchasing a Zyxel product. Zyxel has a reputation for delivering high quality, high performance products and services to our customers. We recommend that you now visit the Zyxel website and register your product online. This will mean you can receive the latest firmware, drivers and product related information. If you still have further questions or enquiries related to the product, please contact our subsidiaries worldwide. Please note that warranty terms may vary by region. Full detailed information is available on our website, here: http://www.zyxel.com/support/warranty_information.shtml

Purchase Information

Zyxel Product Name:

Hardware Serial Number:

Date of Purchase:

(In certain countries, the warranty will be validated with seller's signature and stamp):

Support Information

- USA** +1 800 255 4101 <https://support.zyxel.eu>
support@zyxel.com
- EU, Turkey and Russia**
- Thailand** +66 2831 5315 support@zyxel.co.th
- Taiwan** +886 2 2739 9889 retail@zyxel.com.tw

See the User's Guide at www.zyxel.com for more information, including customer support and safety warnings.

EU Importer
Zyxel Communications A/S
Gladsaxevej 378, 2. th. 2860 Søborg, Denmark
<https://www.zyxel.com/dk/da/>

US Importer
Zyxel Communications, Inc
1130 North Miller Street Anaheim, CA 92806-2001
<https://www.zyxel.com/us/en/>

Copyright © 2020 Zyxel Communications Corp. All Rights Reserved.



ZYXEL

Armor G5 (NBG7815)

AX6000 Multi-Gigabit Security WiFi Router



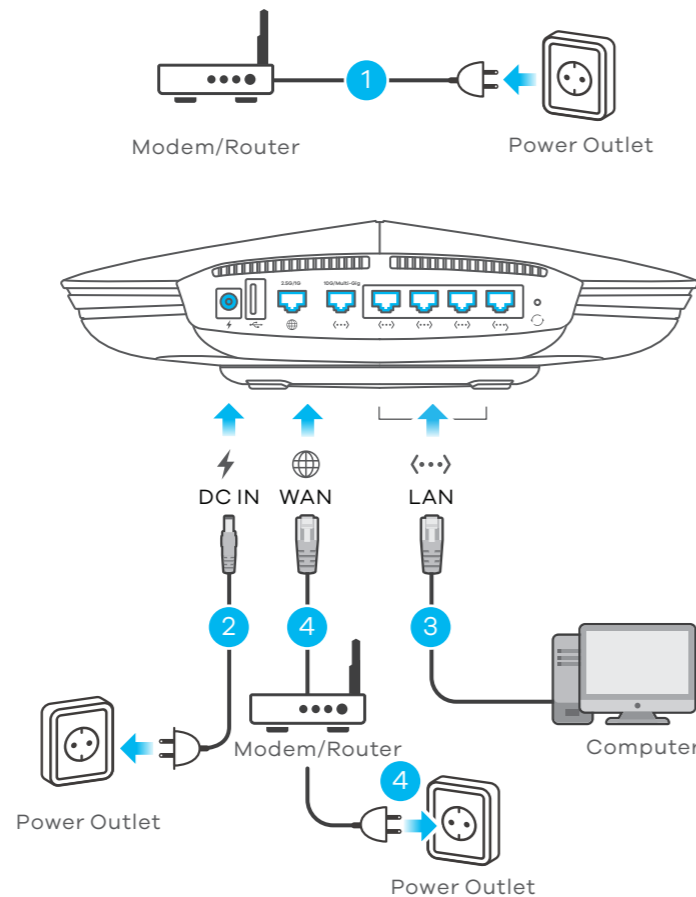
Quick Start Guide

NEDERLANDS | DANSK | NORSK | SVENSKA
SUOMI

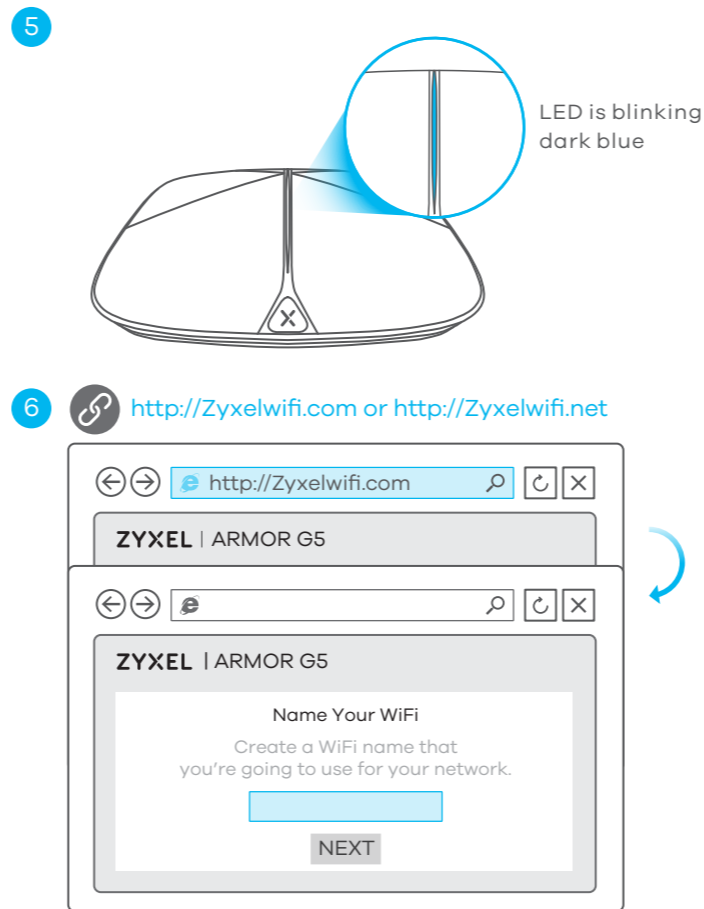
Package Contents

- Device
- Ethernet Cable
- Power Adapter
- QSG / Warranty Card
- Declaration of Conformity
Safety Warnings

1 Hardware Installation

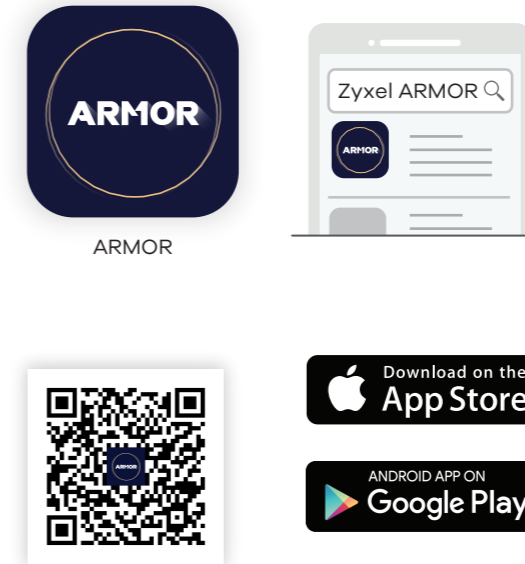


2 Setup Through Web Configurator



Optional Setup through App

Download the ARMOR app to install and manage your ARMOR WiFi router. Use the app to configure WiFi wireless settings and schedule Internet access for specific users.



ARMOR app currently supports English, German, Spanish, French, Italian, Portuguese, Russian and Chinese.

- NL** ① Koppel je modem of router los.
② Gebruik de bijgesloten stroomadapter om de ARMOR op een stopcontact aan te sluiten.
③ Gebruik een Ethernetkabel om je computer te verbinden met ARMOR's LAN-poort.
④ Gebruik een Ethernetkabel om je modem te verbinden met ARMOR's WAN-poort. Verbind deze opnieuw met een stopcontact.
- DK** ① Frakobl dit modem eller router.
② Brug den medfølgende strømadapter til at tilslutte ARMOR'en til en stikkontakt.
③ Brug et Ethernet-kabel til at tilslutte din computer til ARMORs LAN-port.
④ Brug et Ethernet-kabel til at tilslutte dit modem til ARMORs WAN-port. Gentilslut den til en stikkontakt.
- NO** ① Koble fra modemmet eller ruterens.
② Bruk den medfølgende strømadapteren for å koble ARMOR til et strømuttak.
③ Koble datamaskinen til ARMORs LAN-port ved hjelp av en Ethernet-kabel.
④ Koble modemmet til ARMORs WAN-port ved hjelp av en Ethernet-kabel. Koble den til et strømuttak igjen.
- SE** ① Koppla från modemmet eller routern.
② Använd den medföljande strömadaptern och anslut ARMOR till ett vägguttag.
③ Använd en Ethernet-kabel för att ansluta datorn till ARMORs LAN-port.
④ Använd en Ethernet-kabel för att ansluta modemmet till ARMORs WAN-port. Återanslut till ett vägguttag.
- FI** ① Irrota modeemi tai reititin sähköpistokkeesta.
② Liitä ARMOR sähköpistokkeeseen laitteen mukana toimitetulla virtasovittimella.
③ Liitä tietokone ARMORn LAN-porttiin Ethernet-kaapelilla.
④ Liitä modeemi ARMORn WAN-porttiin Ethernet-kaapelilla. Liitä modeemi takaisin sähköpistokkeeseen.

- NL** ⑤ Wacht tot de ARMOR's LED donkerblauw knippert.
⑥ Open een webbrowser op de aangesloten computer en voer <http://Zyxelwifi.com> or <http://Zyxelwifi.net> in. Volg de scherm-instructies om een naam te geven aan jouw ARMOR en configureer de WiFi instellingen.
- DK** ⑤ Vent indtil ARMORs LED blinker mørkeblåt.
⑥ Åbn en webbrowser i computeren og gå til <http://Zyxelwifi.com> eller <http://Zyxelwifi.net>. Følg anvisningerne på skærmen og giv din ARMOR et navn og konfigurér dens WiFi-indstillinger.
- NO** ⑤ Vent til ARMORs LED blinker mørkeblått.
⑥ Åpne en nettleiser fra datamaskinen og angi <http://Zyxelwifi.com> eller <http://Zyxelwifi.net>. Følg skjerminstruksjonene for å gi ARMOR et navn, og konfigurér dens WiFi-innstillinger.
- SE** ⑤ Vänta tills ARMORs LED blinkar mörkblå.
⑥ Från datorn, öppna en webbläsare och skriv in <http://Zyxelwifi.com> eller <http://Zyxelwifi.net>. Följ instruktionerna på skärmen för att ge din ARMOR ett namn och konfigurera dess wifi-inställningar.
- FI** ⑤ Odota, kunnes ARMORn merkkivalo vilkkuu tummansinisellä.
⑥ Avaa tietokoneen verkkoselain ja kirjoita osoitteeksi <http://Zyxelwifi.com> tai <http://Zyxelwifi.net>. Määritä ARMORn laite nimi ja langattoman verkon asetukset noudattamalla näytössä näkyviä ohjeita.

ZYXEL

Your Networking Ally

Warranty Card

Thank you for purchasing a Zyxel product. Zyxel has a reputation for delivering high quality, high performance products and services to our customers. We recommend that you now visit the Zyxel website and register your product online. This will mean you can receive the latest firmware, drivers and product related information. If you still have further questions or enquiries related to the product, please contact our subsidiaries worldwide. Please note that warranty terms may vary by region. Full detailed information is available on our website, here: http://www.zyxel.com/support/warranty_information.shtml

Purchase Information

Zyxel Product Name:
Hardware Serial Number:
Date of Purchase:
(In certain countries, the warranty will be validated with seller's signature and stamp):

Support Information

- USA**
☎ +1 800 255 4101
✉ support@zyxel.com
- EU, Turkey and Russia**
✉ <https://support.zyxel.eu>
- Thailand**
☎ +66 2831 5315
✉ support@zyxel.co.th
- Taiwan**
☎ +886 2 2739 9889
✉ retail@zyxel.com.tw

See the User's Guide at www.zyxel.com for more information, including customer support and safety warnings.

EU Importer
Zyxel Communications A/S
Gladsaxevej 378, 2. th. 2860 Søborg, Denmark
<https://www.zyxel.com/dk/da/>

US Importer
Zyxel Communications, Inc
1130 North Miller Street Anaheim, CA 92806-2001
<https://www.zyxel.com/us/en/>

Copyright © 2020 Zyxel Communications Corp. All Rights Reserved.



ZYXEL

Armor G5 (NBG7815)

AX6000 Multi-Gigabit Security WiFi Router



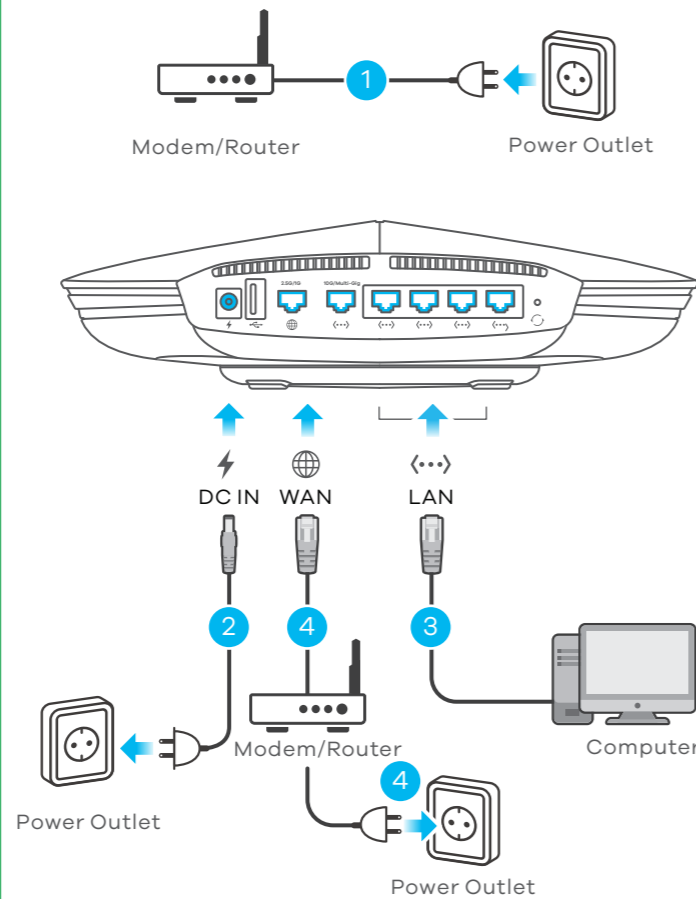
Quick Start Guide

ČEŠTINA | SLOVENČINA | POLSKI | ROMÂNĂ
MAGYAR

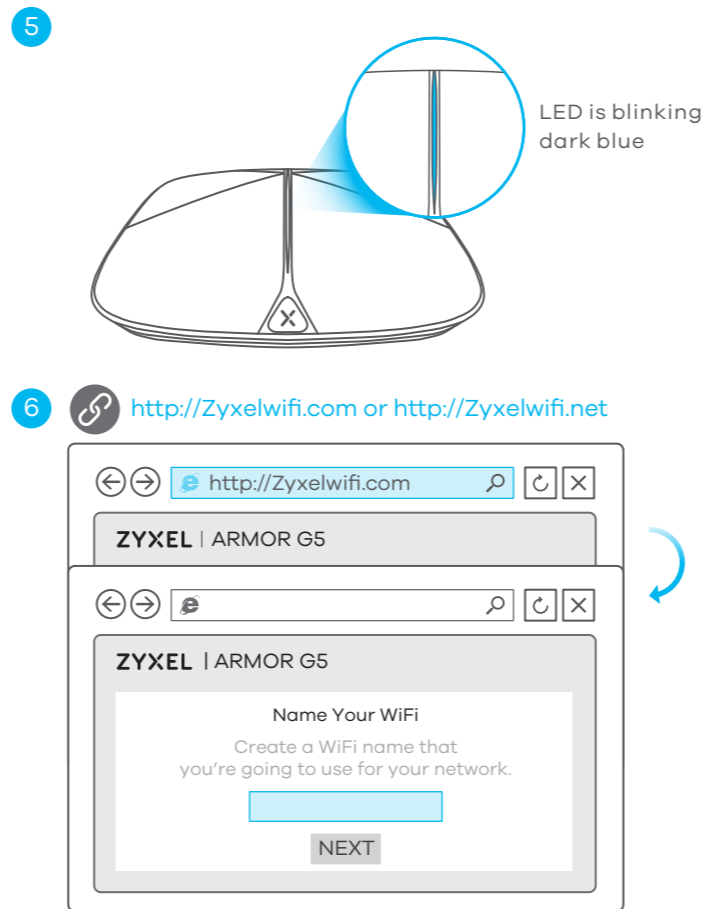
Package Contents

- Device
- Ethernet Cable
- Power Adapter
- QSG / Warranty Card
- Declaration of Conformity Safety Warnings

1 Hardware Installation

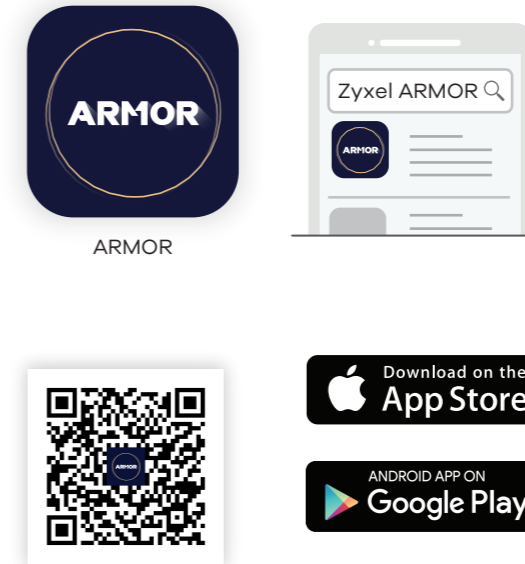


2 Setup Through Web Configurator



Optional Setup through App

Download the ARMOR app to install and manage your ARMOR WiFi router. Use the app to configure WiFi wireless settings and schedule Internet access for specific users.



ARMOR app currently supports English, German, Spanish, French, Italian, Portuguese, Russian and Chinese.

Package Contents

- Device
- Ethernet Cable
- Power Adapter
- QSG / Warranty Card
- Declaration of Conformity Safety Warnings

- CZ** 1 Odpojte modem nebo router.
2 K připojení ARMOR do síťové zásuvky použijte dodaný síťový adaptér.
3 Pomocí ethernetového kabelu připojte počítač k portu LAN zařízení ARMOR.
4 Pomocí ethernetového kabelu připojte modem k portu WAN zařízení ARMOR. Zařízení znovu zapojte do zásuvky.
- SK** 1 Odpojte modem alebo smerovač.
2 Pomocou dodaného sieťového adaptéra pripojte zariadenie ARMOR k elektrickej zásuvke.
3 Pomocou Ethernetového kábla siete pripojte svoj počítač k portu LAN na zariadení ARMOR.
4 Pomocou Ethernetového kábla siete pripojte svoj počítač k portu WAN na zariadení ARMOR. Znova ho zapojte do elektrickej zásuvky.
- PL** 1 Odłącz modem lub router.
2 Użyj dołączonego do zestawu zasilacza, aby podłączyć system ARMOR do gniazdka.
3 Użyj kabla Ethernet, aby podłączyć komputer do portu LAN systemu ARMOR.
4 Użyj kabla Ethernet, aby podłączyć modem do portu WAN systemu ARMOR. Podłącz system do gniazdka zasilającego.
- RO** 1 Deconectați modemul sau routerul.
2 Utilizați adaptorul de alimentare inclus pentru a conecta ARMOR la o priză.
3 Utilizați un cablu Ethernet pentru a conecta computerul la portul LAN al lui ARMOR.
4 Utilizați un cablu Ethernet pentru a conecta modemul la portul WAN al lui ARMOR. Reconectați aparatul la o priză.
- HU** 1 Válassza le modemjét vagy routerét.
2 A mellékelt elektromos hálózati adapterrel csatlakoztassa a ARMOR készüléket egy elektromos aljzathoz.
3 Ethernet kábellel csatlakoztassa számítógépét a ARMOR LAN-portjához.
4 Ethernet kábellel csatlakoztassa modemjét a ARMOR WAN-portjához. Csatlakoztassa azt ismét egy elektromos aljzathoz.

- CZ** 5 Počkejte, dokud dioda na zařízení ARMOR nezačne blikat tmavě modře.
6 V počítači otevřete webový prohlížeč a zadejte http://Zyxelwifi.com nebo http://Zyxelwifi.net. Podle pokynů na obrazovce pojmenujte zařízení ARMOR a nakonfigurujte nastavení WiFi.
- SK** 5 Počkajte, až kým LED indikátor na zariadení ARMOR nebude blikat na tmavomodro.
6 V počítači otvorte internetový prehliadač a zadajte http://Zyxelwifi.com alebo http://Zyxelwifi.net. Podľa pokynov na obrazovke dajte svojmu zariadeniu ARMOR názov a nakonfigurujte nastavenia jeho siete WiFi.
- PL** 5 Oczekaj chwilę, aż dioda LED systemu ARMOR zacznie migać kolorem ciemnoniebieskim.
6 Na komputerze otwórz przeglądarkę i wpisz adres http://Zyxelwifi.com or http://Zyxelwifi.net. Postępuj zgodnie z instrukcjami wyświetlanymi na ekranie, aby przypisać nazwę systemowi ARMOR i skonfigurować jego ustawienia Wi-Fi.
- RO** 5 Așteptați până când LED-ul ARMOR iluminează albastru închis.
6 Deschideți un browser web pe computerul conectat și tastați http://Zyxelwifi.com sau http://Zyxelwifi.net. Urmați instrucțiunile de pe ecran pentru a da o denumire pentru ARMOR și pentru a configura setările WiFi.
- HU** 5 Várjon, amíg a ARMOR LED-je sötétkéken kezd villogni.
6 A csatlakoztatott számítógépen nyisson meg egy böngészőt, majd írja be a következő címet: http://Zyxelwifi.com vagy http://Zyxelwifi.net. Kövesse a képernyőn megjelenő utasításokat a ARMOR elnevezéséhez és a WiFi-beállítások megadásához.

ZYXEL

Your Networking Ally



Warranty Card

Thank you for purchasing a Zyxel product. Zyxel has a reputation for delivering high quality, high performance products and services to our customers. We recommend that you now visit the Zyxel website and register your product online. This will mean you can receive the latest firmware, drivers and product related information. If you still have further questions or enquiries related to the product, please contact our subsidiaries worldwide. Please note that warranty terms may vary by region. Full detailed information is available on our website, here: http://www.zyxel.com/support/warranty_information.shtml

Purchase Information

Zyxel Product Name:
Hardware Serial Number:
Date of Purchase:
(In certain countries, the warranty will be validated with seller's signature and stamp):

Support Information

- USA**
+1 800 255 4101
support@zyxel.com
- EU, Turkey and Russia**
<https://support.zyxel.eu>
- Thailand**
+66 2831 5315
support@zyxel.co.th
- Taiwan**
+886 2 2739 9889
retail@zyxel.com.tw

See the User's Guide at www.zyxel.com for more information, including customer support and safety warnings.

EU Importer
Zyxel Communications A/S
Gladsaxevej 378, 2. th. 2860 Søborg, Denmark
<https://www.zyxel.com/dk/da/>

US Importer
Zyxel Communications, Inc
1130 North Miller Street Anaheim, CA 92806-2001
<https://www.zyxel.com/us/en/>

Copyright © 2020 Zyxel Communications Corp. All Rights Reserved.



ZYXEL

Armor G5 (NBG7815)

AX6000 Multi-Gigabit Security WiFi Router



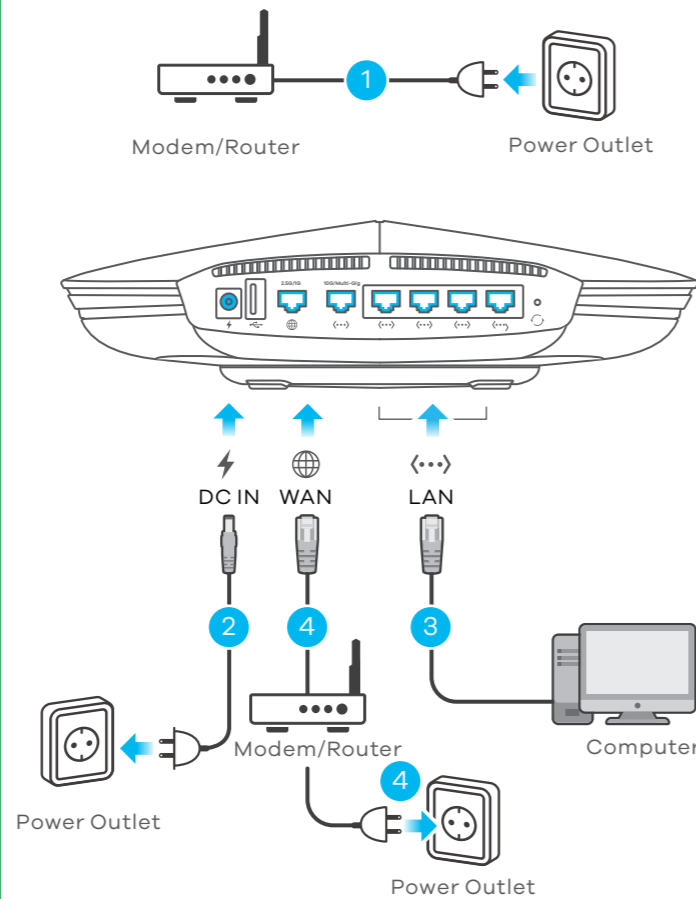
Quick Start Guide

SLOVENŠČINA | БЪЛГАРСКИ | РУССКИЙ | TÜRK
ภาษาไทย | 繁體中文

Package Contents

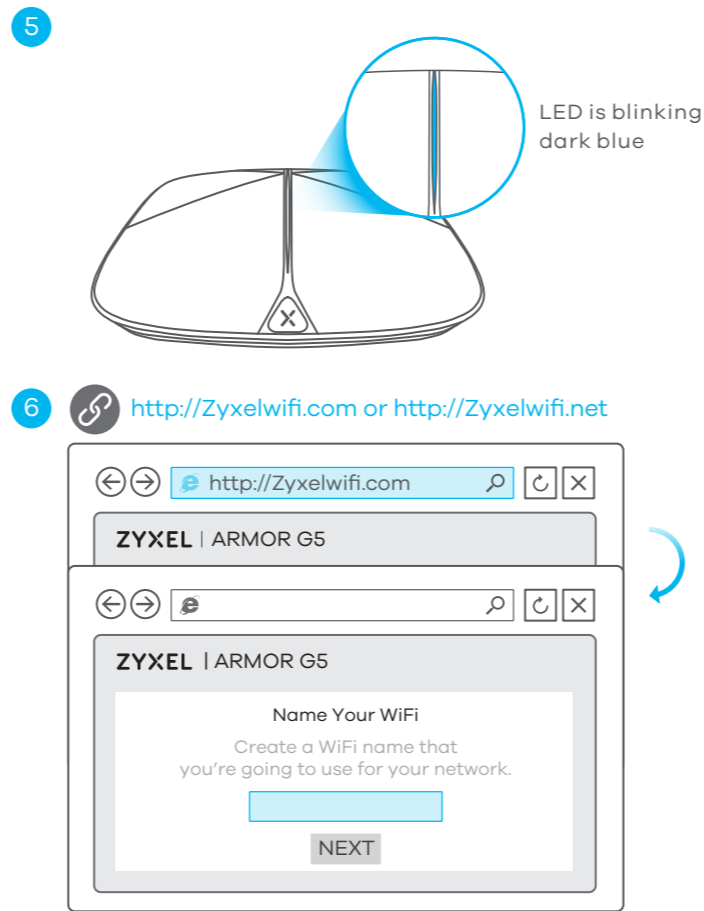
- Device
- Ethernet Cable
- Power Adapter
- QSG / Warranty Card
- Declaration of Conformity Safety Warnings

1 Hardware Installation



- SL** ① Izklopite vaš modem ali usmerjevalnik.
② Uporabite priloženi napajalni adapter, da priključite enoto ARMOR v vtičnico.
③ Uporabite ethernetni kabel, da priključite vaš računalnik v vrata LAN enote ARMOR.
④ Uporabite ethernetni kabel, da priključite vaš modem v vrata WAN enote ARMOR. Ponovno jo priključite na vtičnico.
- BG** ① Изключете модема или рутера си.
② Използвайте приложения адаптер, за да свържете ARMOR за захранването към ел. контакт.
③ Използвайте Ethernet кабел, за да свържете компютъра си към LAN порта на ARMOR.
④ Използвайте Ethernet кабел, за да свържете модема си към WAN порта на ARMOR. Включете го отново в захранването.
- RU** ① Отсоедините модем или роутер.
② С помощью входящего в комплект блока питания подсоедините ARMOR устройство к источнику питания.
③ С помощью кабеля Ethernet подсоедините свой компьютер к порту LAN ARMOR.
④ С помощью кабеля Ethernet подсоедините свой модем к порту WAN ARMOR. Подсоедините его опять к источнику питания.
- TR** ① Modem veya router'inizin bağlantısını kesin.
② ARMOR'yi elektrik prizine bağlamak için birlikte verilen güç adaptörünü kullanın.
③ Bilgisayarınızı ARMOR'nin LAN bağlantı noktasına bağlamak için Ethernet kablosu kullanın.
④ Modeminizi ARMOR'nin WAN bağlantı noktasına bağlamak için Ethernet kablosu kullanın. Elektrik prizine yeniden bağlayın.
- TH** ① ถอดโมเด็มหรือเราเตอร์ของคุณออก
② ใช้อะแดปเตอร์ที่ใหม่เพื่อต่อ ARMOR เข้ากับปลั๊กไฟ
③ ใช้สาย Ethernet เพื่อเชื่อมต่อคอมพิวเตอร์ของคุณเข้ากับพอร์ต LAN ของ ARMOR
④ ใช้สาย Ethernet เพื่อเชื่อมต่อโมเด็มของคุณเข้ากับพอร์ต WAN ของ ARMOR ต่อไฟเข้ากับปลั๊กไฟอีกครั้ง
- 繁中** ① 中斷數據機或路由器的連線。
② 使用內附的電源變壓器將 ARMOR 連接至電源插座。
③ 使用乙太網路電纜將電腦連接至 ARMOR 的 LAN 埠。
④ 使用乙太網路電纜將數據機連接至 ARMOR 的 WAN 埠。將其重新連接至電源插座。

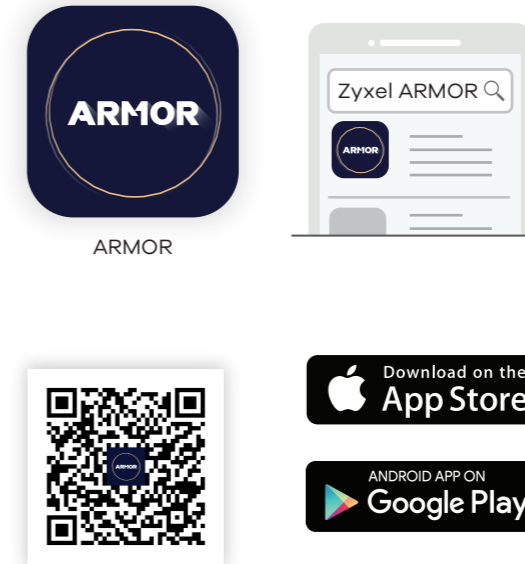
2 Setup Through Web Configurator



- SL** ⑤ Počakajte dokler lučka LED enote ARMOR ne začne utripati v temno modri barvi.
⑥ Na računalniku odprite spletni brskalnik in vnesite <http://Zyxelwifi.com> ali <http://Zyxelwifi.net>. Sledite navodilom na zaslону, da svojo enoto ARMOR poimenujete in konfigurirate njene nastavitve za WiFi.
- BG** ⑤ Изчакайте, докато светодиодът на ARMOR започне да примигва в тъмно синьо.
⑥ От компютъра отворете уеб браузър и въведете <http://Zyxelwifi.com> или <http://Zyxelwifi.net>. Следвайте инструкциите на екрана, за да дадете име на вашето ARMOR и да зададете Wi-Fi настройките му.
- RU** ⑤ Подождите, пока не загорится темно-синий СД-индикатор ARMOR.
⑥ На компьютере откройте веб-браузер и перейдите на <http://Zyxelwifi.com> или <http://Zyxelwifi.net>. Следуйте инструкциям, указанным на экране. Дайте своему ARMOR название, затем настройте сеть WiFi
- TR** ⑤ ARMOR'nin LED'i koyu mavi renkte yanıp sönene kadar bekleyin.
⑥ Bilgisayarda web tarayıcısını açın ve <http://Zyxelwifi.com> veya <http://Zyxelwifi.net> adresini girin. ARMOR'nize ad vermek için ekrandaki talimatları izleyin ve WiFi ayarlarını yapılındırın.
- TH** ⑤ รอนกว่าไฟ LED ของ ARMOR จะกะพริบเป็นสีน้ำเงินเข้ม
⑥ จากคอมพิวเตอร์ให้เปิดเว็บเบราว์เซอร์แล้วพิมพ์ <http://Zyxelwifi.com> หรือ <http://Zyxelwifi.net> ทำตามคำแนะนำบนหน้าจอเพื่อตั้งชื่อให้ ARMOR ของคุณ และกำหนดการตั้งค่า WiFi ของคุณ
- 繁中** ⑤ 等待 ARMOR 的 LED 閃爍深藍色。
⑥ 在電腦上開啟網頁瀏覽器，然後輸入 <http://Zyxelwifi.com> 或 <http://Zyxelwifi.net>。依照畫面上的指示為 ARMOR 命名，並設定其 WiFi 設定。

Optional Setup through App

Download the ARMOR app to install and manage your ARMOR WiFi router. Use the app to configure WiFi wireless settings and schedule Internet access for specific users.



ARMOR app currently supports English, German, Spanish, French, Italian, Portuguese, Russian and Chinese.

ZYXEL

Your Networking Ally



Warranty Card

Thank you for purchasing a Zyxel product. Zyxel has a reputation for delivering high quality, high performance products and services to our customers. We recommend that you now visit the Zyxel website and register your product online. This will mean you can receive the latest firmware, drivers and product related information. If you still have further questions or enquiries related to the product, please contact our subsidiaries worldwide. Please note that warranty terms may vary by region. Full detailed information is available on our website, here: http://www.zyxel.com/support/warranty_information.shtml

Purchase Information

Zyxel Product Name:

Hardware Serial Number:

Date of Purchase:

(In certain countries, the warranty will be validated with seller's signature and stamp):

Support Information

- USA**
☎ +1 800 255 4101
✉ support@zyxel.com
- EU, Turkey and Russia**
✉ <https://support.zyxel.eu>
- Thailand**
☎ +66 2831 5315
✉ support@zyxel.co.th
- Taiwan**
☎ +886 2 2739 9889
✉ retail@zyxel.com.tw

See the User's Guide at www.zyxel.com for more information, including customer support and safety warnings.

EU Importer
Zyxel Communications A/S
Gladsaxevej 378, 2. th. 2860 Søborg, Denmark
<https://www.zyxel.com/dk/da/>

US Importer
Zyxel Communications, Inc
1130 North Miller Street Anaheim, CA 92806-2001
<https://www.zyxel.com/us/en/>

Copyright © 2020 Zyxel Communications Corp. All Rights Reserved.

